

BMC-S369

High Sensitivity 36x Zoom Module

LVDS EX-SDI CVBS

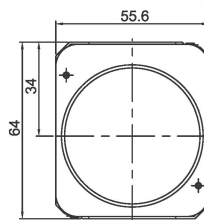


Features

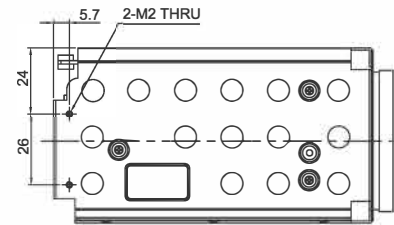
- 1/2" 2MP Sony CMOS sensor
- 1080p 60fps/30fps, 1080i 60fps, 720p 60fps/30fps
- 36x Optical Zoom(6mm~216mm) & 32x Digital Zoom
- F1.5(wide) ~ F4.8(tele)
- Day & Night(ICR)
- Real-time True WDR(DOL)
- Digital Noise Reduction(2D+3D)
- Digital Image Stabilization
- Privacy Mask Function
- High Light Compensation
- Intelligent Motion Detection
- Defog Function
- Supports VISCA, Pelco-D/P Protocol
- Video Out : LVDS, EX-SDI 1.0, EX-SDI 2.0, EX-SDI 2.1, CVBS

Dimensions

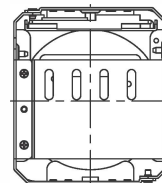
Unit : mm



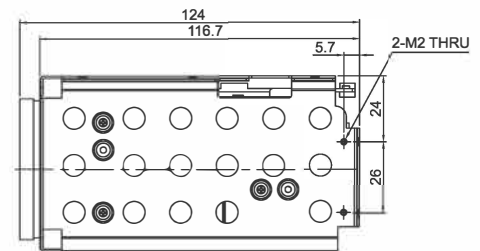
FRONT



LEFT SIDE

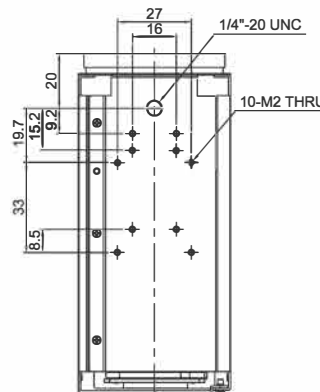
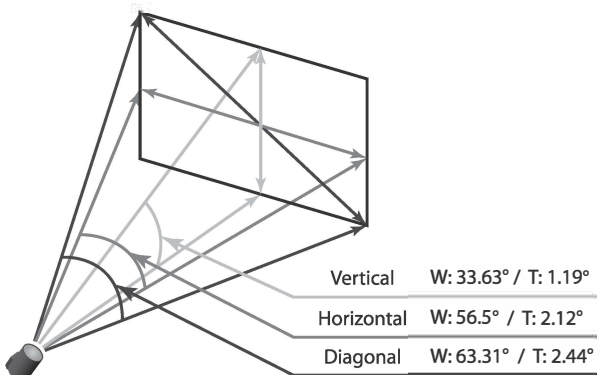


BACK

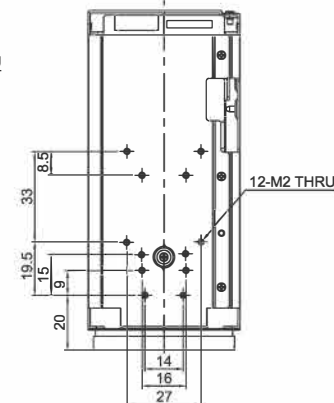


RIGHT SIDE

Field of View



BOTTOM



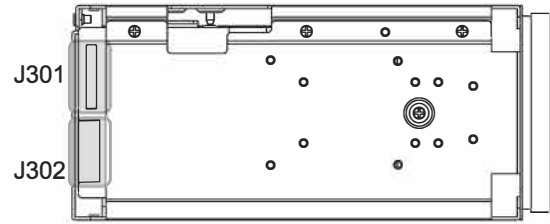
TOP

Specifications

BMC-S369				
Image Sensor	1/2" Sony CMOS Sensor			
	1,952(H) x 1,113(V) = 2.17M Pixels			
Active Pixels	1,937(H) x 1,097(V) = 2.12M Pixels			
Scanning System	Progressive Scan			
Syno. System	Internal			
	Digital : 1080p/60(50)fps, 1080i60(50)fps, 1080p/30(25)fps, 720p/60(50)fps, 720p/30(25)fps			
	Analog : 700TVL			
Min. Illumination	Color(1/30s) : 0.01 lux, BW(1/30s) : 0.002 lux			
	Color DSS(1/1s) : 0.001 lux, BW DSS(1/1s) : 0.0002 lux			
Video Output	HD : LVDS, EX-SDI 1.0, EX-SDI 2.0, EX-SDI 2.1			
	Analog SD : CVBS			
	more than 50dB (AGC off)			
	36x Day & Night Zoom Lens			
Zoom Ratio	Optical 36x, Digital 32x Zoom			
Focal Length	f = 6.0 mm ~ 216.0 mm			
Aperture Ratio	F1.5 (wide) ~ F4.8 (tele)			
Angle-Of-View(D, H, V)	Wide	63.31°	56.5°	33.63°
	Tele	2.44°	2.12°	1.19°
M _L	Auto / One Push / Manual			
Min. Distance	0.1 / 1.5 / 3.0 / 5.0 / 10.0 m			
Lens Refresh	One Push / 1 ~ 10Day			
Digital Zoom	Off / MAX 2x ~ 32x			
	AUTO / IRIS.P / SHUT.P / MANUAL			
Gain Control(AGC)	0 ~ 10 steps			
Shutter Speed	1/30(25) ~ 1/60,000 sec			
	0 ~ 20 steps			
Digital Slow Shutter(DSS)	Off / 2x / 4x / 8x / 16x / 32x / (64x : 60 or 50 fps mode only)			
	0 ~ 20 steps			
WDR/BLC	OFF / WDR / BLC			
Day&Night	Auto / Day / Night / Ext-in			
White Balance	Auto / One Push / Manual / Indoor / Outdoor / Auto-Ext			
	Off / On / Night Only			
	Auto / Off / Low / Middle / High			
M _{IR}	Off / H / V / H&V			
Sharpness	0 ~ 10 steps			
	Off / Low / Middle / High			
	Off / On(Auto / Manual)			
Privacy Mask	Max. 24 Areas			
Motion Detection	Max. 3 Areas			
Defect Detection	Off / On			
	NTSC / PAL			
Communication	Baud Rate : 2400 / 4800 / 9600 / 19200 / 38400 / 57600 / 115200			
	Protocol : VISCA / Pelco-D / Pelco- P / Update			
	English / Simplified Chinese / Traditional Chinese / Japanese			
Power Source	9V to 15V DC			
Power Consumption	500mA			
Power Input	Connector			
Video Output	Connector			
Storage Temperature	-20℃ ~ +60℃ (Humidity : 0%RH ~ 90%RH)			
Operating Temperature	-10℃ ~ +50℃ (Humidity : 0%RH ~ 90%RH)			
Dimensions	55.6(W) x 64(H) x 124(D)			
	400g			

* Design and specifications are subject to change without notice.

Pin Assignment



J301	
1	TXOUT3+
2	TXOUT3-
3	TXCLKOUT+
4	TXCLKOUT-
5	TXOUT2+
6	TXOUT2-
7	TXOUT1+
8	TXOUT1-
9	TXOUT0+
10	TXOUT0-
11	GND
12	TxD
13	RxD
14	DC+12V IN
15	DC+12V IN
16	DC+12V IN
17	DC+12V IN
18	DC+12V IN
19	GND
20	GND
21	TXOUT7+
22	TXOUT7-
23	TXOUT6+
24	TXOUT6-
25	EXSDI+
26	EXSDI-
27	TXOUT5+
28	TXOUT5-
29	TXOUT4+
30	TXOUT4-

Ref USL00-30L-C(KEL Cop.)

J302	
1	GND
2	TxD
3	RxD
4	TWI_SCL
5	GND
6	TWI_SDA
7	GND
8	ADKEY
9	NC
10	D/N-IN
11	NC
12	MD-OUT
13	RS 485-DIR
14	NC
15	GND
16	DC+5V OUT
17	GND
18	VBS-OUT
19	GND
20	DC+12V IN
21	DC+12V IN
22	DC+12V IN
23	DC+12V IN
24	DC+12V IN

Ref 05002HR-24J05(YEONHO)