

# BMH-108



2MP x10 AF HD-SDI Box Camera

**HD-SDI**  
**EX-SDI**

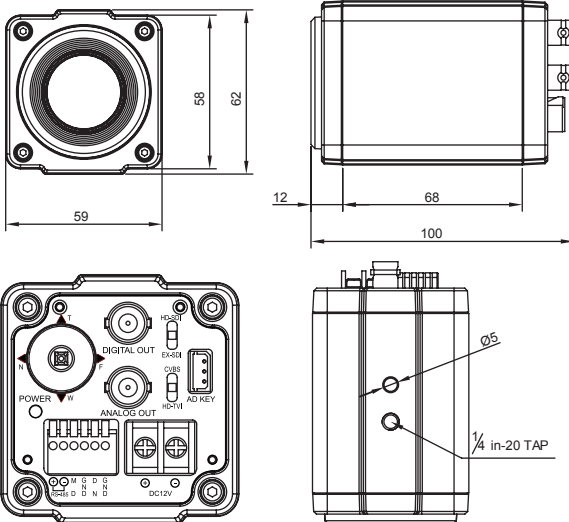


## Features

- 1/3" 2MP Panasonic CMOS sensor
- 1080p 60fps / 30fps, 720p 60fps
- HD-SDI, EX-SDI, TVI, CVBS
- x10 Optical Zoom(5.1~51mm) & x32 Digital Zoom
- Real-time True WDR
- Digital Noise Reduction(2D+3D)
- Digital Slow Shutter
- Digital Image Stabilizer
- Privacy Mask Function
- High Light Compensation
- Defog Function
- ACE(Digital WDR)
- Motion Detection
- Protocol(VISCA, Pelco-D, Pelco-P)

## Dimensions

Unit : mm



CAMERA	
Image Sensor	1/3" Panasonic CMOS Sensor
Total Pixels	1956 (H) x 1266 (V) = 2.48M Pixels
Active Pixels	1944 (H) x 1092 (V) = 2.12M Pixels
Scanning System	Progressive Scan
Resolution	Digital : 1080p/30(25)fps, 720p/60(50)fps, 720p/30(25)fps
Min. Illumination	Color(1/30s) : 0.5 lux , BW(1/30s) : 0.1lux
	Color DSS(1/7.5s) : 0.125 lux , BW DSS(1/7.5s) : 0.025 lux
S/N Ratio	more than 50dB (AGC off)
Video Output	HD-SDI, EX-SDI, TVI, CVBS

LENS		x10	
Lens Type	x10 Day & Night Zoom Lens		
Zoom Ratio	Optical x10, Digital x32 Zoom		
Focal Length	f = 5.1mm ~ 51mm		
Aperture Ratio	F1.6 (wide) ~ F1.8 (tele)		
Angle Of View (D, H, V)	WIDE	68°	54°
	TELE	6.7°	4.9°

CAMERA FUNCTIONS	
Camera Title	ID / Title / Zoom Ratio / System Message
Day & Night	Auto / Day / Night / Ext-in
WDR/BLC	Off / WDR / BLC / HLC
ACE	Off / Low / Middle / High
DNR	Auto / Off / Low / Middle / High
Defog	Off / On(Auto / Manual)
Digital Image Stabilizer	Off / On
Motion Detection	Off / On (3 positions)
Privacy Mask	Off / On (24 positions)
Digital Slow Shutter	Off / x2 / x4 ( / x8 : 60 or 50fps mode only)
Gain Control	Off / On
White Balance	Auto / One Push / Manual / Indoor / Outdoor
Shutter Speed	1/30(25) ~ 1/30,000 sec
E.Zoom	Off / x2 ~ x32
Digital Flip	Off / H / V / H&V

GENERAL	
Power Source	DC12V±10%
Power Consumption	Max 500mA
Operating Temperature	-10°C ~ +50°C / 0% ~ 90% RH
Dimensions	59(W) x 62(H) x 100(D) mm
Weight	0.36Kg